

# Toileting Sling E-clip Net



Padded back

Soft armpit support

Large aperture



## Ideal for using the toilet

Lower extremity dressing smoothly and easily can be challenging and is often accompanied by some degree of time pressure, especially after using the toilet. Our Toileting Sling E-clip offers a practical solution to many clients and their care givers.



### Comfortable transfers

Due to the relatively large aperture underneath the client's sitting area and the extra long, padded leg support, it is possible to remove undergarments while the client is wearing the sling. This sling has a reinforced back and soft padding underneath the arms to provide effective and comfortable support to the client during the transfer, which is mainly done in a sitting position. This sling can also be used to lift a client from narrow wheelchairs into a moulded seat or into a bath/shower.

has an adjustable neck support, which can also be used as a headrest thanks to its adjustable straps. The headrest is a welcome addition for clients who have a tendency to overstretch or have impaired core or head stability.

### Flexible and airy

The Polyester mesh material has a low friction coefficient and is easy to apply. The sling also dries quickly after washing or bathing. The material has light elastic properties and shapes itself to the client's body. The client does not have to wear the sling as long. This sling was designed for four-point suspension from a hanger bar. Compatible with the mobile Diana II Comfort lift and Diana II 4 MSB.



### Correct toilet posture

By fastening this sling to a hanger bar, this sling can help clients assume perfect toilet posture. The Toileting Sling High also



## Accessories



**4-point hanger bar**  
For HeliQ ceiling-mounted lift, available in Small (manual), Medium and Large (electric). Art. No. 92441, 92442 and 92443.



**4-point hanger bar**  
For Diana II Comfort 4ESB (electric). Art. No. 90560.



**4-point hanger bar**  
For Diana II/ Diana II Comfort 4MSB (manual), Art. no. 90558/ 90559.

## Use



**From and into bed**  
Suitable for lifting clients from bed and helping them sit down on bed.



**From and to a chair**  
Suitable for positioning in a chair and for transfers in and out of a chair.

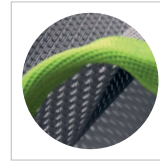


**Showering**  
The Polyester Mesh material is highly suitable for wet environments.



**Toileting**  
Provides extra support when using the toilet.

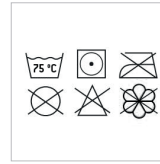
## Features



**Polyester Net**  
A soft and thin material that breathes and dries quickly. Ideal for wet conditions, such as bathing and showering.



**E-clip integrated lock**  
Can be used one-handed. Universally compatible with all lifts equipped with mushroom fasteners Ø 6.8-8.2 mm.

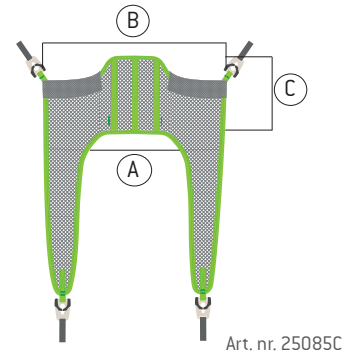


**Cleaning and maintenance instructions**  
For cleaning and maintenance instructions, see the label of the sling. Wash in an approved laundry bag.

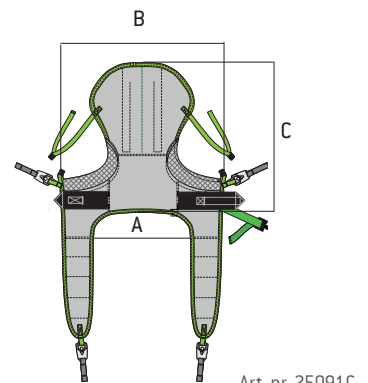
## Technical specifications

| Product name                        | Article number | Size          | Color | A             | B              | C             |
|-------------------------------------|----------------|---------------|-------|---------------|----------------|---------------|
| Toileting Sling E-clip Net JM       | 25085C-JM      | Junior Medium | JM    | 28 cm / 11"   | 73 cm / 28.7"  | 26 cm / 10.2" |
| Toileting Sling E-clip Net S        | 25085C-S       | Small         | S     | 32 cm / 12.6" | 82 cm / 32.3"  | 30 cm / 11.8" |
| Toileting Sling E-clip Net M        | 25085C-M       | Medium        | M     | 48 cm / 18.9" | 90 cm / 35.4"  | 33 cm / 13"   |
| Toileting Sling E-clip Net L        | 25085C-L       | Large         | L     | 50 cm / 19.7" | 98 cm / 38.6"  | 33 cm / 13"   |
| Toileting Sling E-clip Net XL       | 25085C-XL      | Extra Large   | XL    | 56 cm / 22"   | 101 cm / 39.8" | 38 cm / 15"   |
| Toileting Sling High E-clip Soft JS | 25091C-JS      | Junior Small  | JS    | 29 cm / 11.4" | 76 cm / 29.9"  | 68 cm / 26.8" |
| Toileting Sling High E-clip Soft JM | 25091C-JM      | Junior Medium | JM    | 32 cm / 12.6" | 82 cm / 32.2"  | 72 cm / 28.3" |
| Toileting Sling High E-clip Soft S  | 25091C-S       | Small         | S     | 42 cm / 18.8" | 92 cm / 32.3"  | 74 cm / 29.1" |
| Toileting Sling High E-clip Soft M  | 25091C-M       | Medium        | M     | 44 cm / 17.3" | 97 cm / 38.2"  | 80 cm / 31.5" |
| Toileting Sling High E-clip Soft L  | 25091C-L       | Large         | L     | 49 cm / 19.3" | 98 cm / 38.6"  | 85 cm / 33.5" |
| Toileting Sling High E-clip Soft XL | 25091C-XL      | Extra Large   | XL    | 51 cm / 20.1" | 101 cm / 50"   | 93 cm / 36.6" |

Maximaal gebruikersgewicht: 300 kg / 660 lb



Art. nr. 25085C



Art. nr. 25091C



*We improve freedom of movement and quality of care for people.*

[www.humancaregroup.com](http://www.humancaregroup.com)



**HUMAN CARE SWEDEN (HQ)**  
Årstaängsvägen 21B  
117 43 Stockholm  
+46 8 665 35 00  
info@humancaregroup.com

**HUMAN CARE GERMANY**  
Industriestraße 13, Gebäude 1/9  
63755 Alzenau  
+49 (0) 6023 994 936 8  
infode@humancaregroup.com

**HUMAN CARE CANADA**  
10-155 Colonnade Road  
ON K2E 7K1 Ottawa  
+1 613 723 6734  
info.ca@humancaregroup.com

**HUMAN CARE THE NETHERLANDS**  
Elspeterweg 124  
8076 PA Vierhouten  
+31 577 41 21 71  
info.nl@humancaregroup.com

**HUMAN CARE UNITED STATES**  
8006 Cameron rd, Suite K  
TX 78754 Austin  
+1 5 124 76 7199  
info.us@humancaregroup.com